



Fourmosa – credenza

Dimensions:

L 102-1/2" P 19-3/4" H 21-3/4"

Materials:

Wood, leather, brass

Available Colors:

Coffee

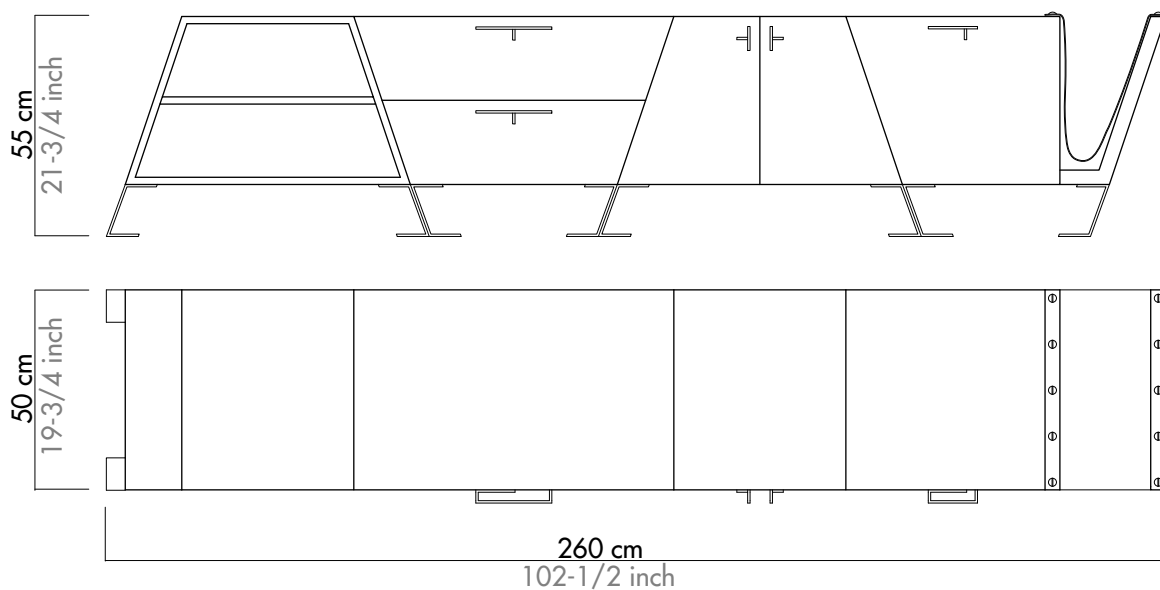
Made in:

Italy

Product Description:

The Fourmosa credenza is an object of splendid craftsmanship without pre-defined measurements. It is composed of four elements, each with its own functionality and aesthetics; the component pieces can exist on their own or be combined at will.

Indeed, the trapezoid used here is in itself almost an invitation to keep going, to repeat. Starting from a single element, the sideboard can be extended ad infinitum to create a highly personalized composition in which sophisticated design is accentuated by meticulously crafted finishings. Case in point are the brass handles, perfectly calibrated to the size of the piece and designed as if they had been pencil-sketched in a single masterful line. This stylistic choice encompasses the heart of the philosophy animating this credenza, a piece of furniture that embodies technical expertise and artistic flair in every detail.



© LATOXLATO S.R.L.

e: info@latoxlato.com - www.latoxlato.com

M (+39) 349 8589322 (Italy)

M (+1) 347 5134454 (USA)